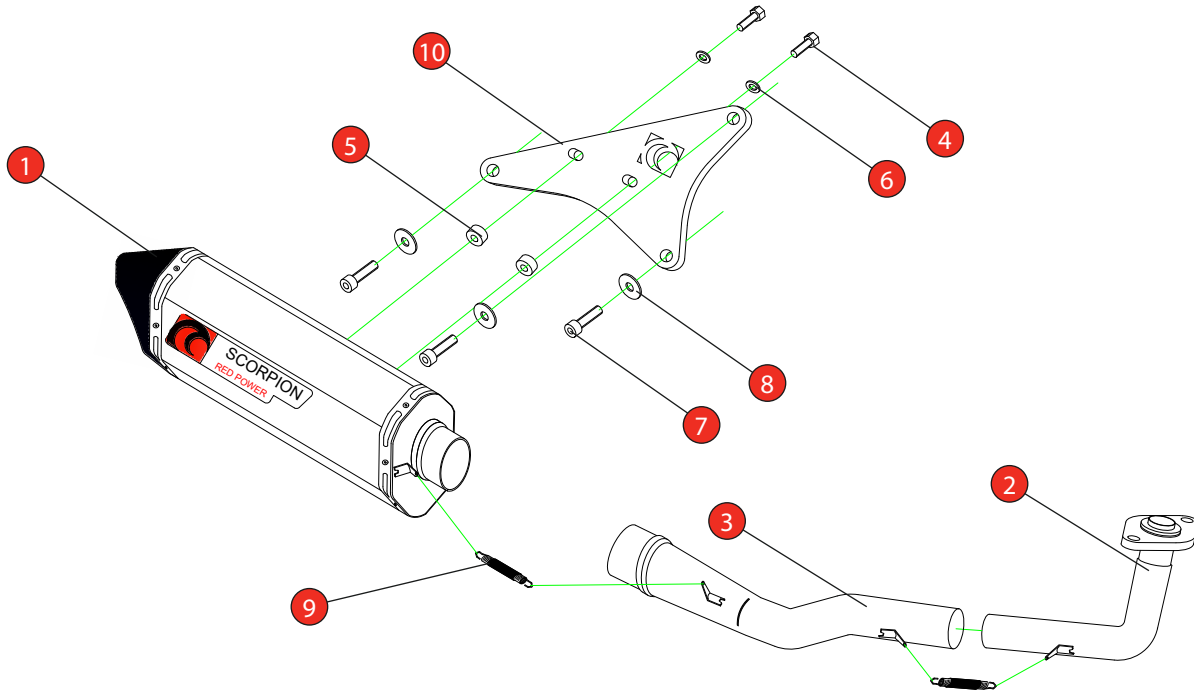


Bike	Honda PCX 125	Part No.	RHA-174
Year	2014-2016	Fit Kit	Z039.10602
Notes	Where not supplied use original fittings	dB Killer	Z038.10540 (TYPE MM)

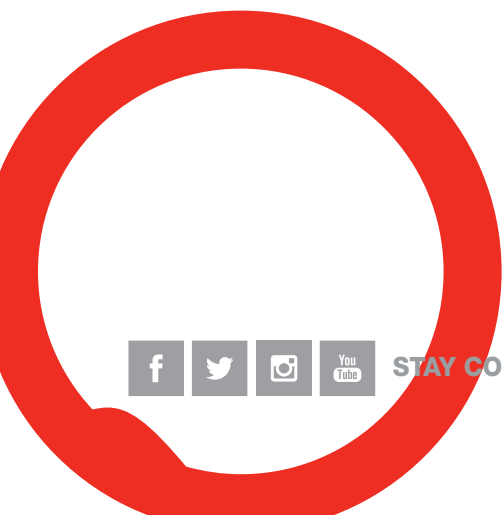
Estimated Fitting Time: 60 Minutes



NO.	PART NO.	DESCRIPTION	QTY
1	RSC394	Serket Silencer	1
2	CP937	Header Pipe	1
3	CP938	Connecting Pipe	1
Fit Kit - Z039.10602			
4	Z017.10047	M8 x 25mm Hex Head Bolt	2
5	Z026.10004	10mm Alloy Spacer	2
6	Z017.10831	M8 x 17mm Washer	2
7	Z017.12760	M10 x 35mm Fine Thread Cap Head Bolt	3
8	Z017.11014	M10 x 25mm Washer	3
9	Z028.10030	Rubber Coated Spring	2
10	Z007.31510	Mounting Bracket	1

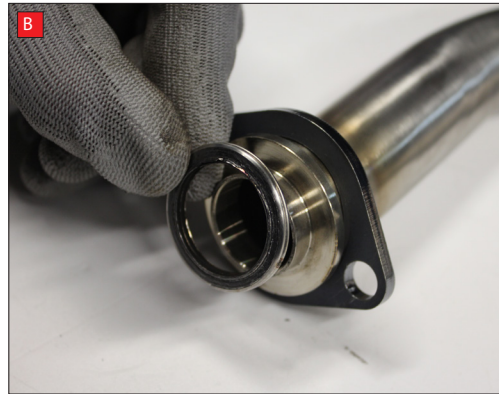
E-MARK	e11 00510
DATE	28/03/17
ISSUE	00
AUTHORISED	M.Ydlibi

NOTE: ENSURE SCORPION SYSTEM IS CLEAR OF MOVING PARTS AND ALL ORIGINAL FUNCTIONS WORK CORRECTLY.



STAY CONNECTED TO RED POWER.

Bike	Honda PCX 125	Part No.	RHA-174
Year	2014-2016	Fit Kits	Z039.10602
Notes	Where not supplied use original fittings	dB Killer	Z038.10540 (TYPE MM)



A) Remove original exhaust from bike, taking care to keep all original components in a safe place.

B) Remove the gasket from the original exhaust and fit it to the Scorpion header pipe.

C) Loosely fit the header pipe using the original bolts, then slip on the connecting pipe.

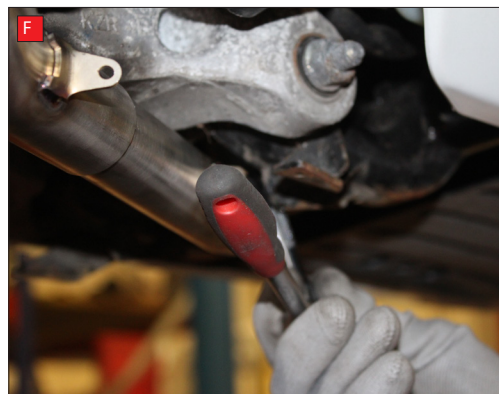
D) Fit the mounting bracket to the scooter following the diagram above ensuring all bolts are tight as the silencer will block these bolts.

E) Slide the silencer on to the connecting pipe and mount the silencer to the bracket following the line diagram.

F) Once you're happy the silencer is fitted correctly, tighten all fittings starting at the header pipe.

G) Fit the springs to secure the fitting between the silencer and connecting pipe and the fitting between the connecting and header pipes.

H) When fitted, take scooter for a short test run, upon return allow the scooter to cool and check all nuts and bolts are secure.



Bike	Honda PCX 125	Part No.	RHA-174
Year	2014-2016	Fit Kit	Z039.10602
Notes	Where not supplied use original fittings	dB Killer	Z038.10540 (TYPE MM)

Estimated Fitting Time: 60 Minutes



Thank you for purchasing your Scorpion Silencer.

Care of your exhaust: Please refrain from cleaning silencer with heavy solvents or abrasives!

Vielen Dank Für den kauf eines Scorpion Schalldampfers! Pflegehinweis: Bitte verwenden Sie niemals Scheuermittel oder aggressive Reiniger zur Pflege Ihres Auspuffes!

Merci d'avoir choisi un echappement Scorpion.

Entretien de votre silencieux: Ne pas utiliser de solvants ou de produits abrasifs!

Muchas gracias por adquirir un Silencioso Scorpion. Le recomendamos no limpiar el silencioso con productos abrasivos o aquellos que contengan disolventes.



STAY CONNECTED TO RED POWER.